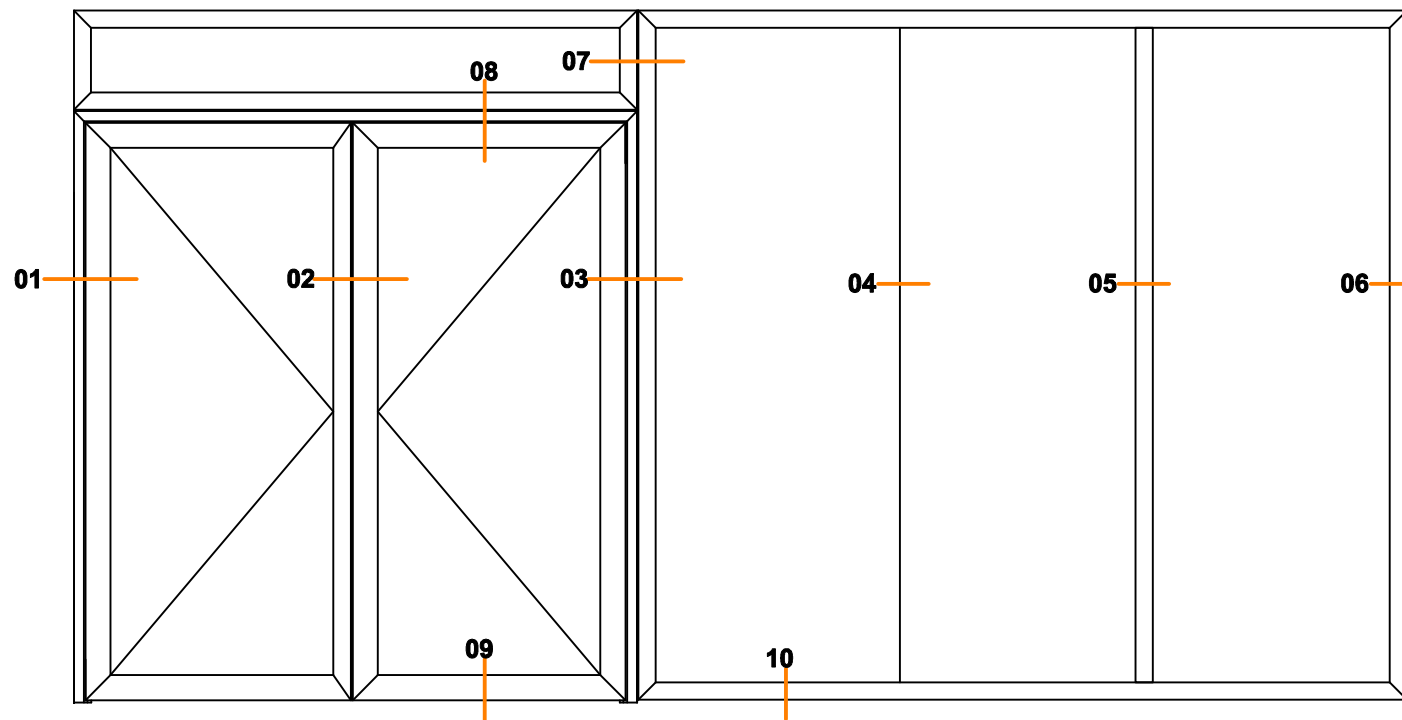
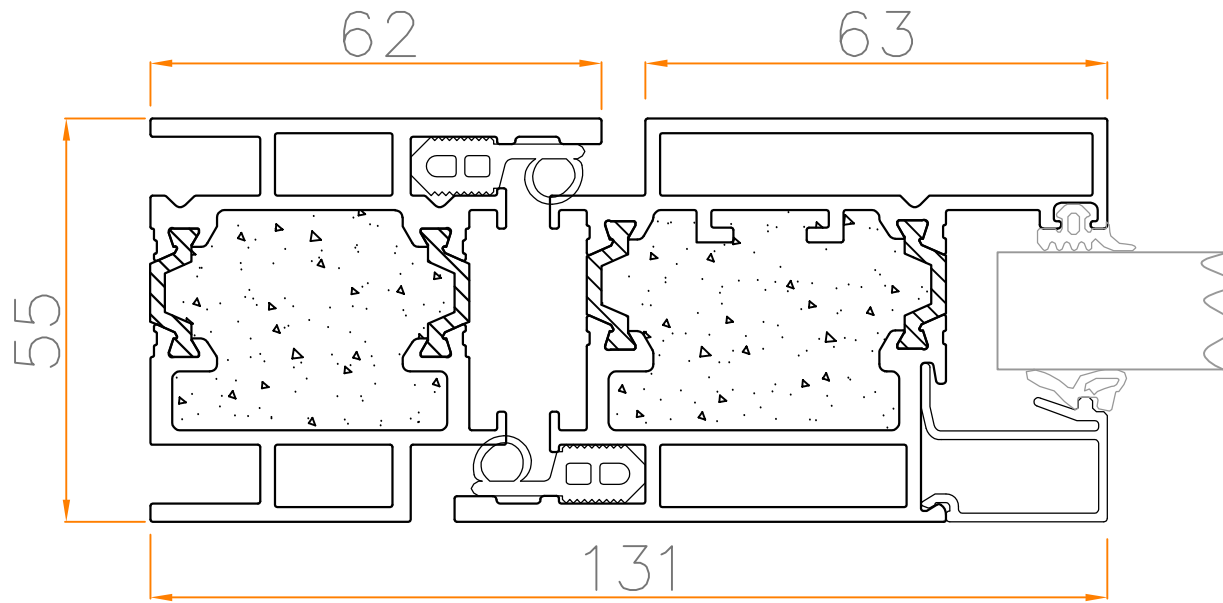


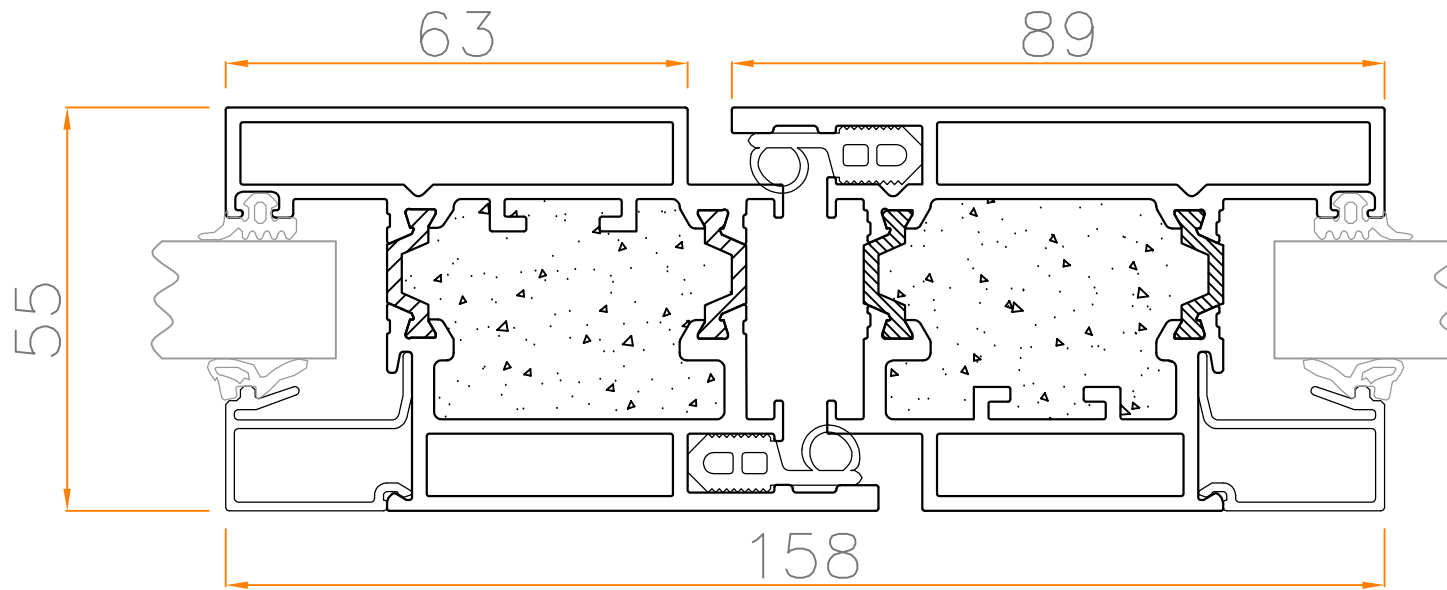
AF55 SYSTEM SECTIONS



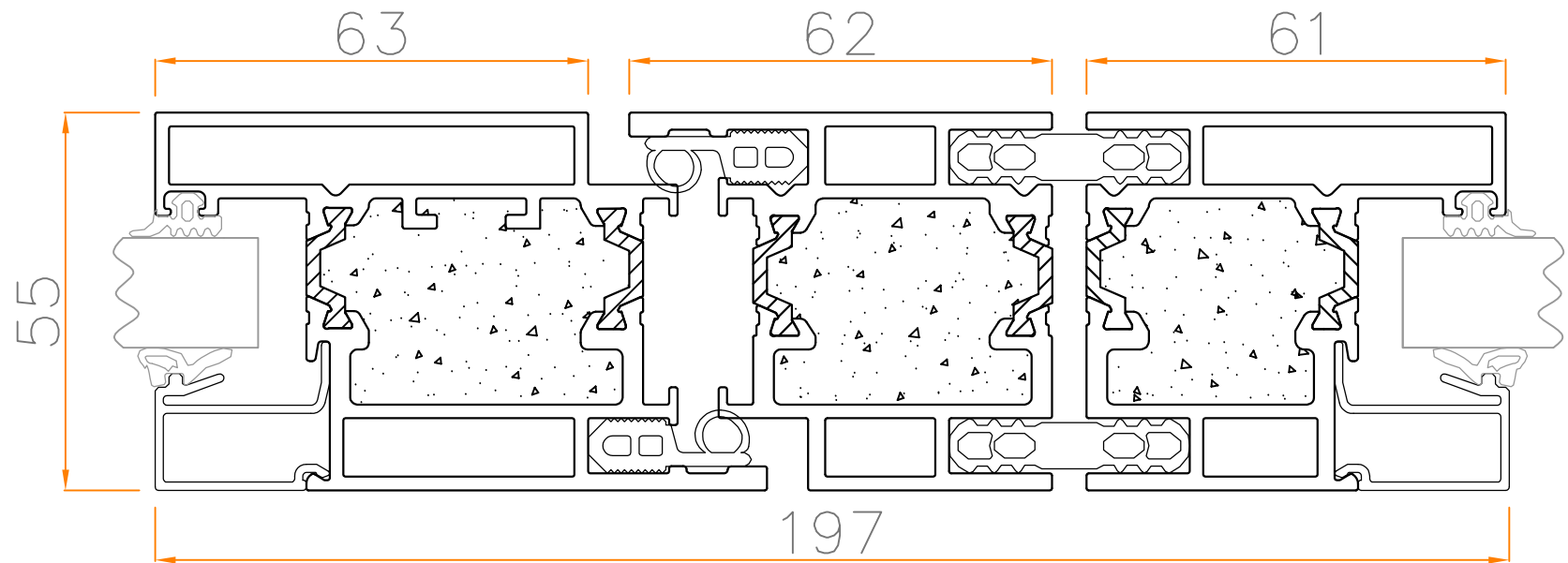
01 section



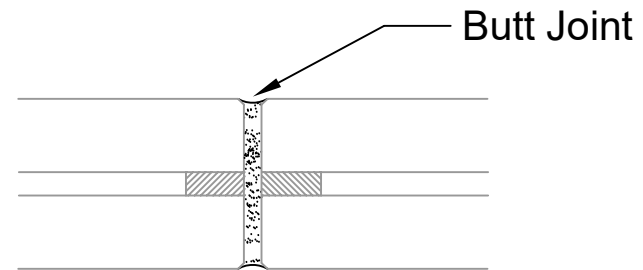
02 section



03 section

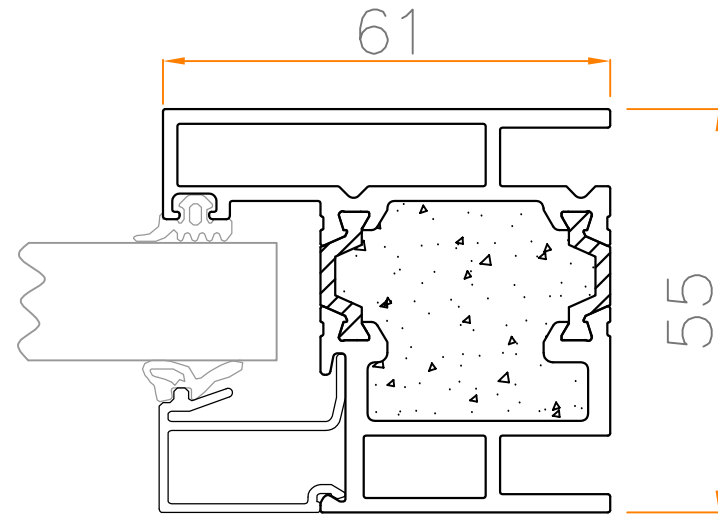
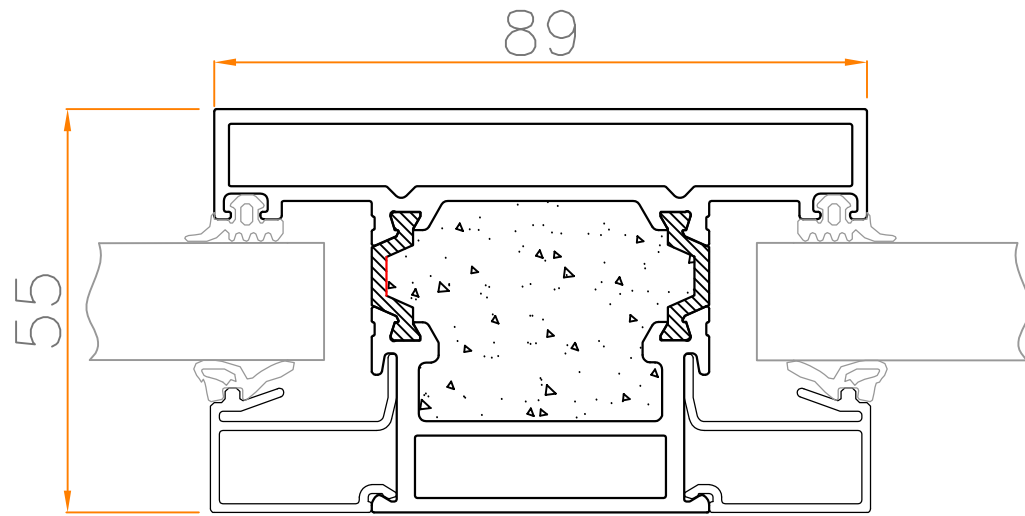


04 section

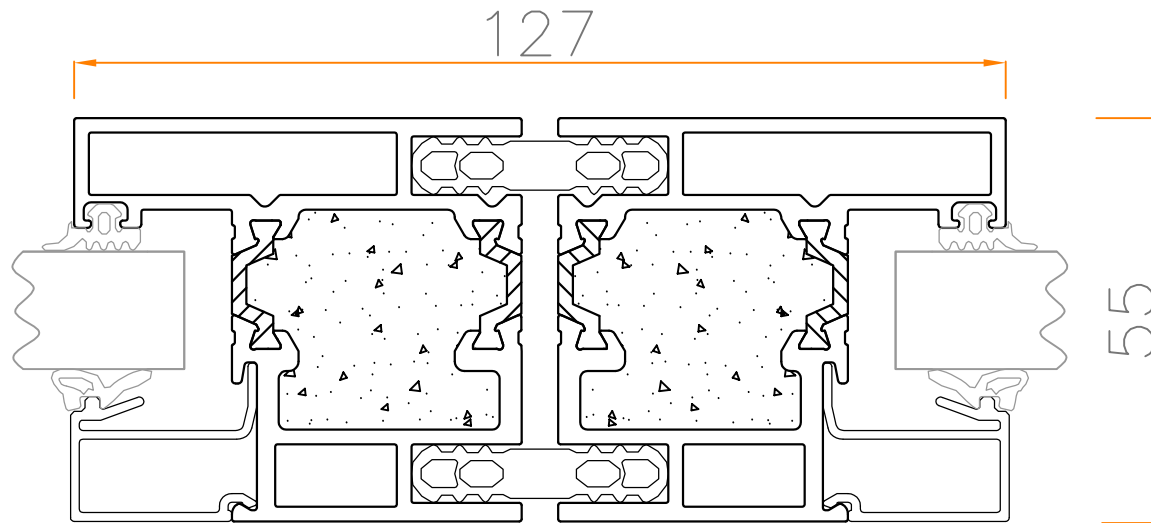


05 section

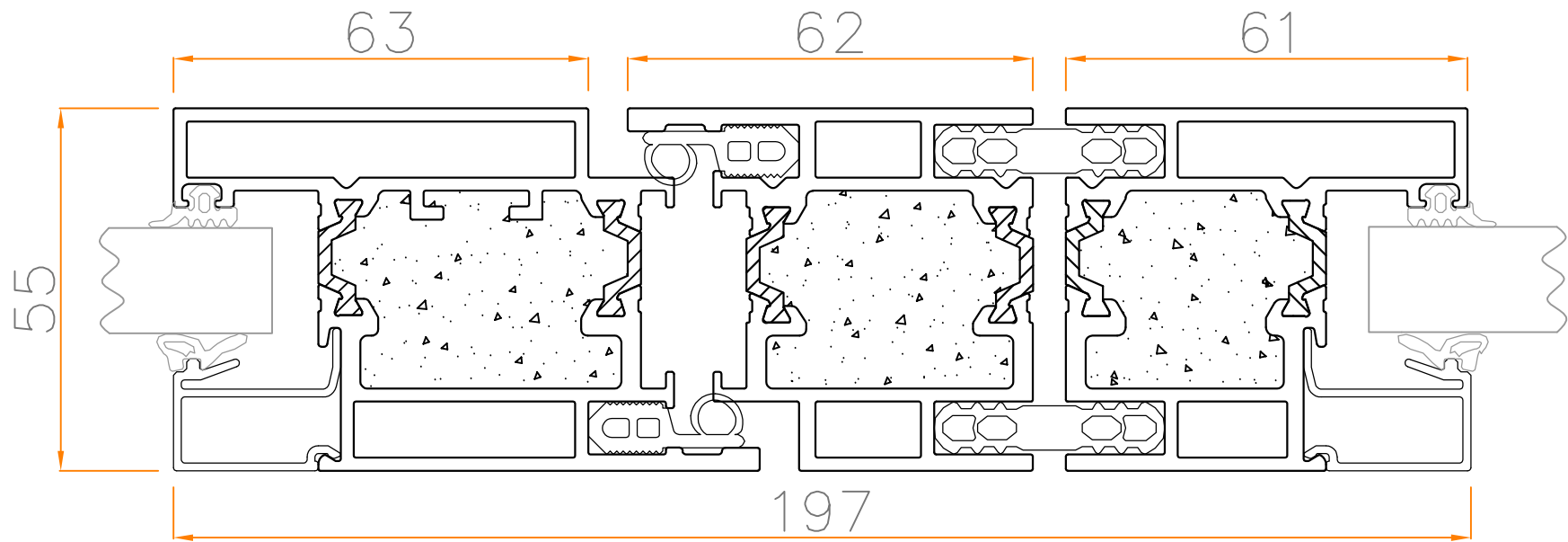
06 section



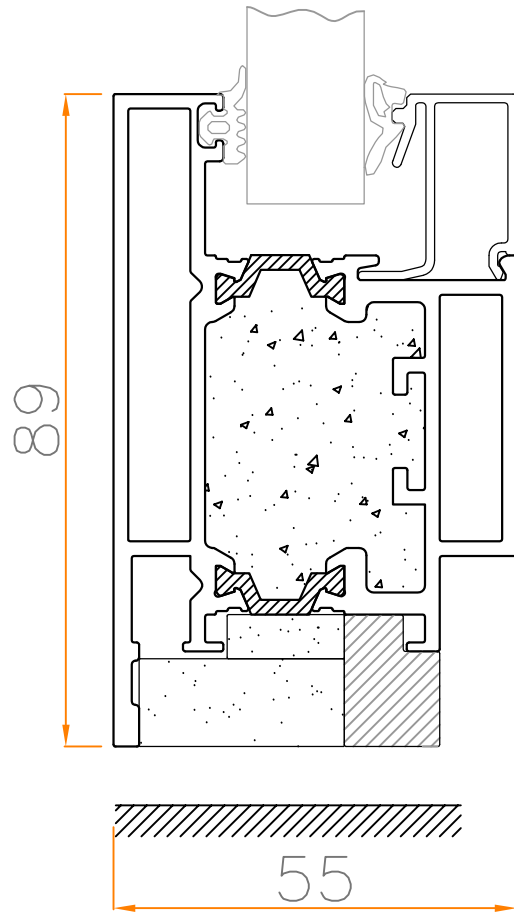
07 section



08 section



09 section



10 section

