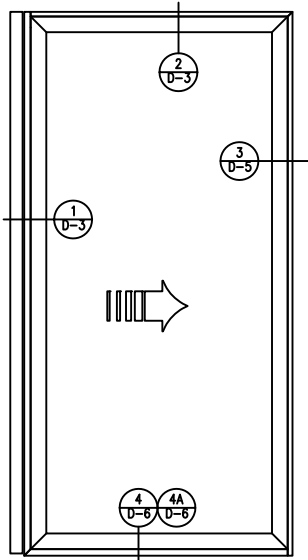
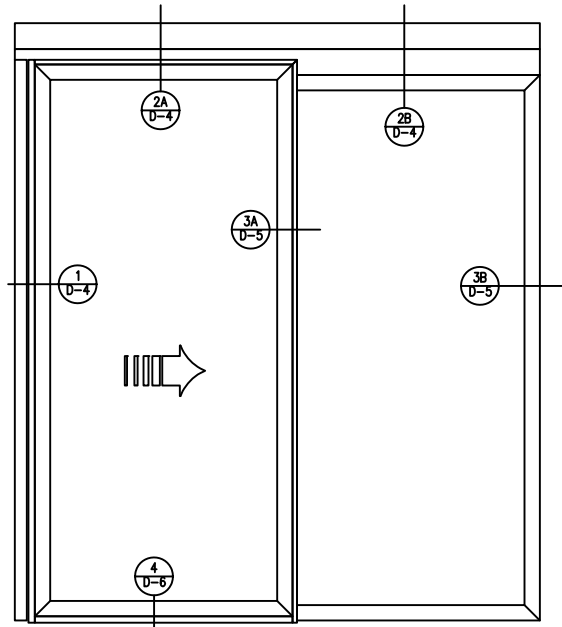


30/45/60 MINUTE FIRE-RATED FULL VISION SLIDING DOORS

- 85 mm standard profile thickness
- Maximum door opening 1300x2150mm (SD) / 2100x2150 mm (DD)
- Available in Anodized, Powdercoated and Architectural Painted finishes
- Interior and exterior installation
- Factory finished, assembled, and ready for installation
- Glazing stops to accommodate various glass thicknesses (30/45/60 minute) – see page 12
- Door frames integrate with Aluflam Storefront & Curtainwall Systems for sidelites/transoms.



Single Sliding Door (SSD)

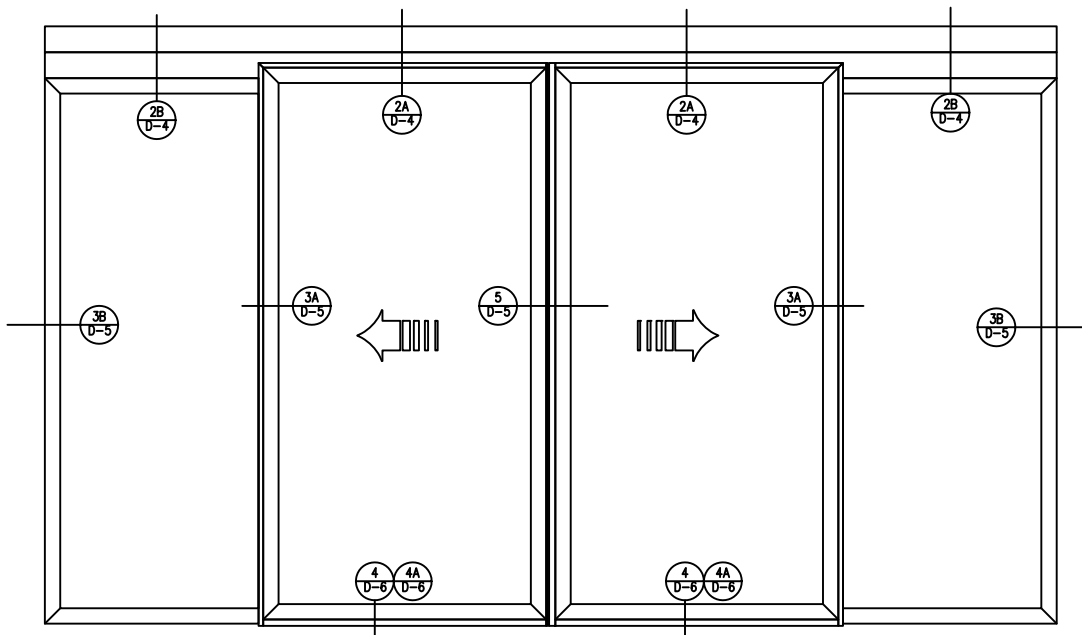
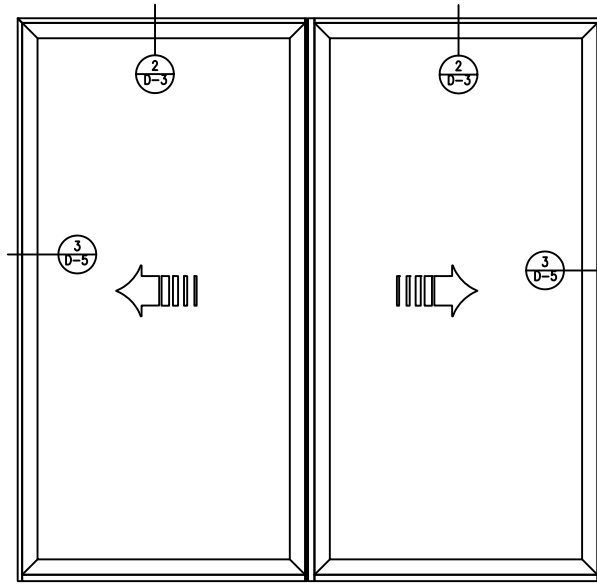


Single Sliding Door (SSD) w Sidelite



PROPRIETARY AND CONFIDENTIAL
THE INFORMATION CONTAINED IN THIS
DRAWING IS THE SOLE PROPERTY OF
ALUFLAM. ANY
REPRODUCTION IN PART OR AS A WHOLE
WITHOUT THE WRITTEN PERMISSION OF
ALUFLAM IS PROHIBITED.

		DIMENSIONS ARE IN MILLIMETERS		NAME	DATE
		TOLERANCES:		DRAWN	I.Nachev 2010.02.07
		FRACTIONAL ±		CHECKED	Z.Meironas 2010.02.12
		ANGULAR: MACH ± BEND ±		ENG APPR.	
		TWO PLACE DECIMAL ±		MFG APPR.	
		THREE PLACE DECIMAL ±		Q.A.	
		MATERIAL		COMMENTS:	
NEXT ASSY	USED ON	FINISH			
APPLICATION				<p>30/45/60 MINUTE FIRE-RATED FULL VISION SLIDING DOORS</p> <p>SIZE DWG. NO. 001 REV.</p>	
				SD-1	WEIGHT: SHEET 1 OF 8



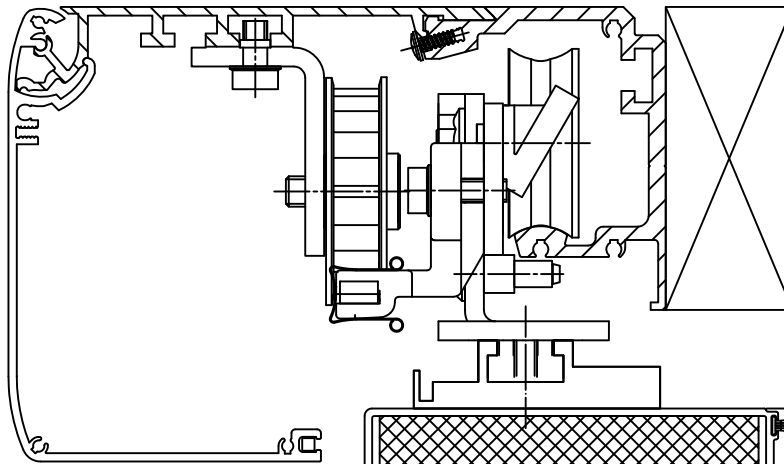
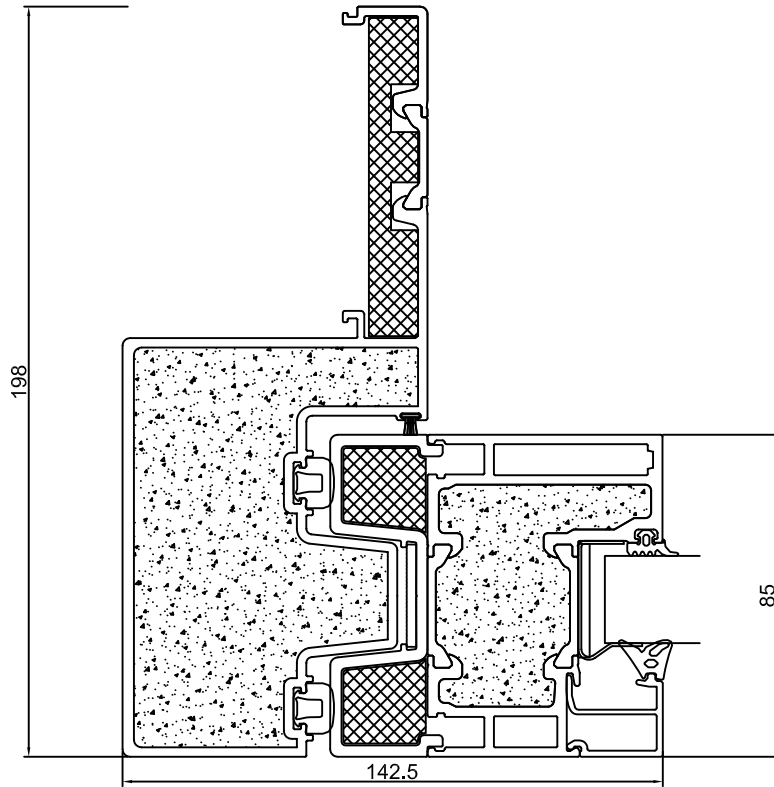
PROPRIETARY AND CONFIDENTIAL
 THE INFORMATION CONTAINED IN THIS
 DRAWING IS THE SOLE PROPERTY OF
 ALUFLAM. ANY
 REPRODUCTION IN PART OR AS A WHOLE
 WITHOUT THE WRITTEN PERMISSION OF
 ALUFLAM IS PROHIBITED.

		DIMENSIONS ARE IN MILLIMETERS		NAME	DATE
		TOLERANCES:		DRAWN	I.Nachev 2010.02.07
		FRACTIONAL ±		CHECKED	Z.Meironas 2010.02.12
		ANGULAR: MACH ± BEND ±		ENG APPR.	
		TWO PLACE DECIMAL ±		MFG APPR.	
		THREE PLACE DECIMAL ±		Q.A.	
		MATERIAL		COMMENTS:	
NEXT ASSY	USED ON	FINISH			
APPLICATION					

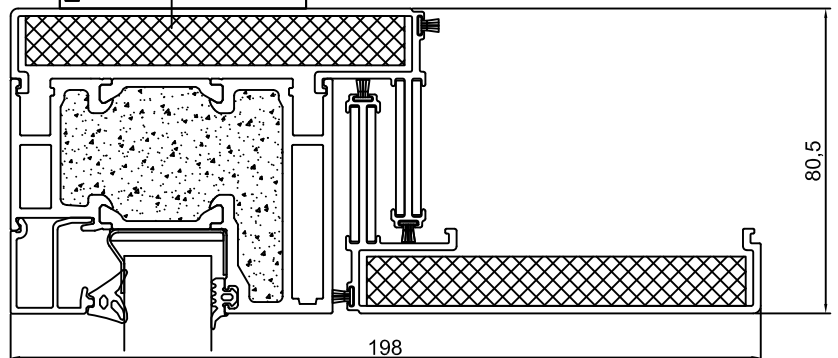
30/45/60 MINUTE FIRE-RATED FULL VISION SLIDING DOORS

SIZE	DWG. NO.	REV.
A	002	
SD-2	WEIGHT:	SHEET 2 OF 8

1 JAMB SECTION
60 MIN. GLASS



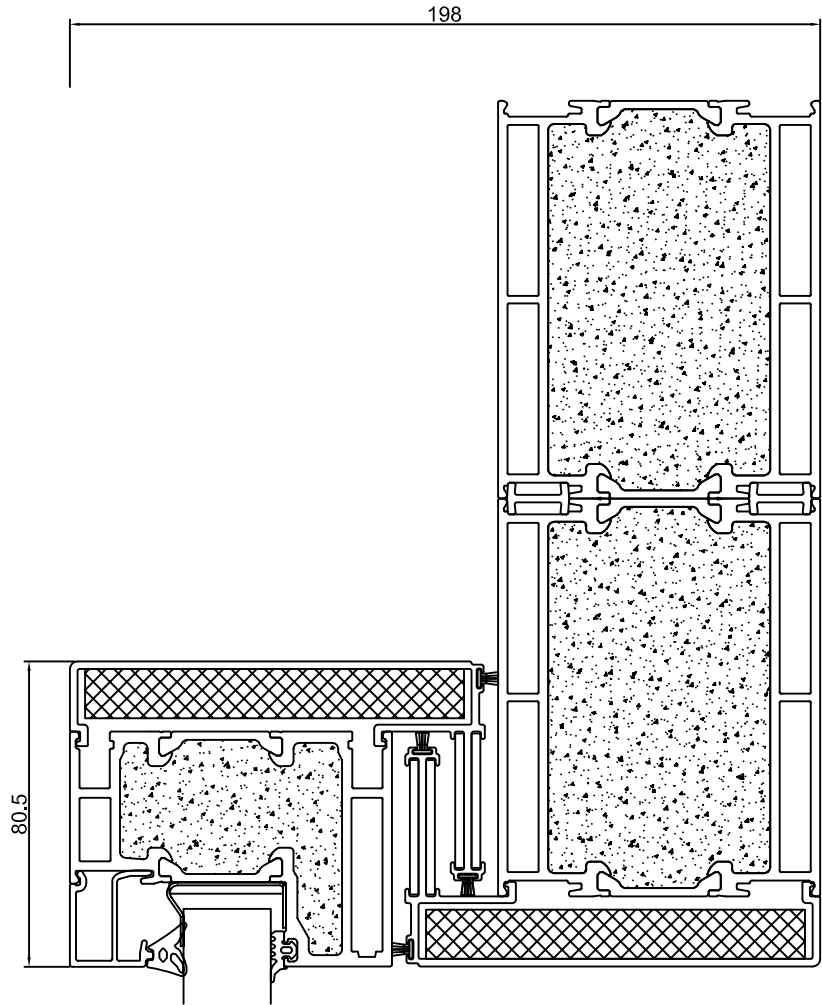
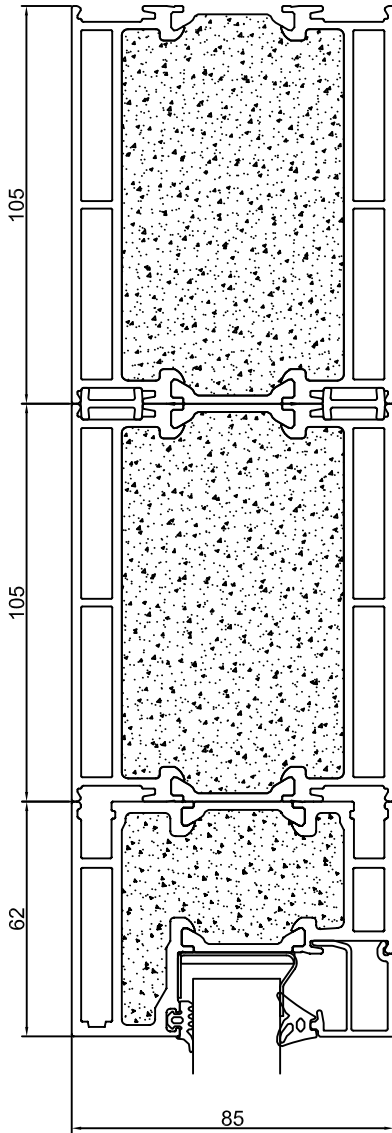
2 DOOR HEADER SECTION
60 MIN. GLASS



PROPRIETARY AND CONFIDENTIAL
THE INFORMATION CONTAINED IN THIS
DRAWING IS THE SOLE PROPERTY OF
ALUFLAM. ANY
REPRODUCTION IN PART OR AS A WHOLE
WITHOUT THE WRITTEN PERMISSION OF
ALUFLAM IS PROHIBITED.

		DIMENSIONS ARE IN MILLIMETERS		NAME	DATE
		TOLERANCES:		DRAWN	I.Nachev 2010.02.07
		FRACTIONAL ±		CHECKED	Z.Meironas 2010.02.12
		ANGULAR: MACH ± BEND ±		ENG APPR.	
		TWO PLACE DECIMAL ±		MFG APPR.	
		THREE PLACE DECIMAL ±		Q.A.	
		MATERIAL		COMMENTS:	
NEXT ASSY	USED ON	FINISH		30/45/60 MINUTE FIRE-RATED FULL VISION SLIDING DOORS	
APPLICATION					
SIZE	DWG. NO.				REV.
A	003				
SD-3	WEIGHT:				SHEET 3 OF 8

2B TRANSOM SECTION w/ SLIDING DOOR PROFILE
60 MIN. GLASS



2A DOOR HEADER SECTION w/ SLIDING DOOR PROFILE
60 MIN. GLASS

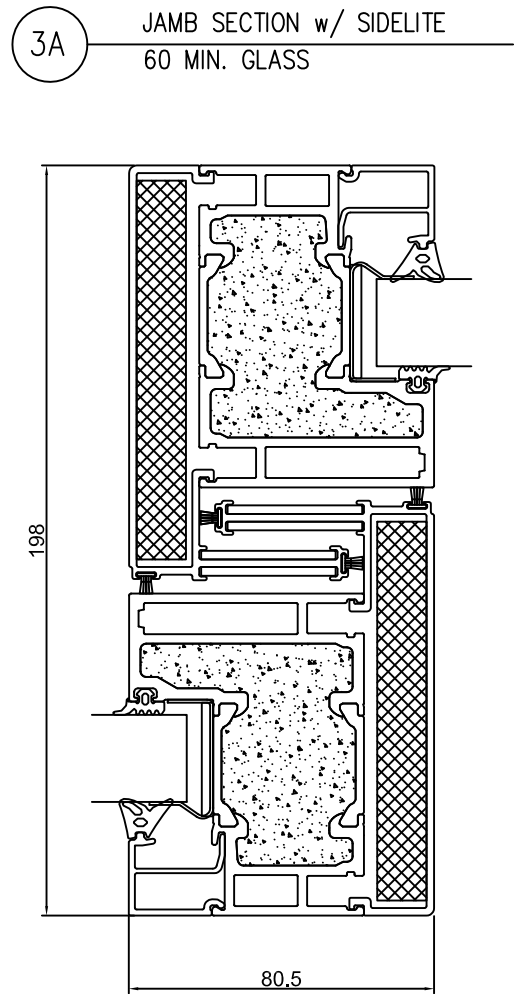
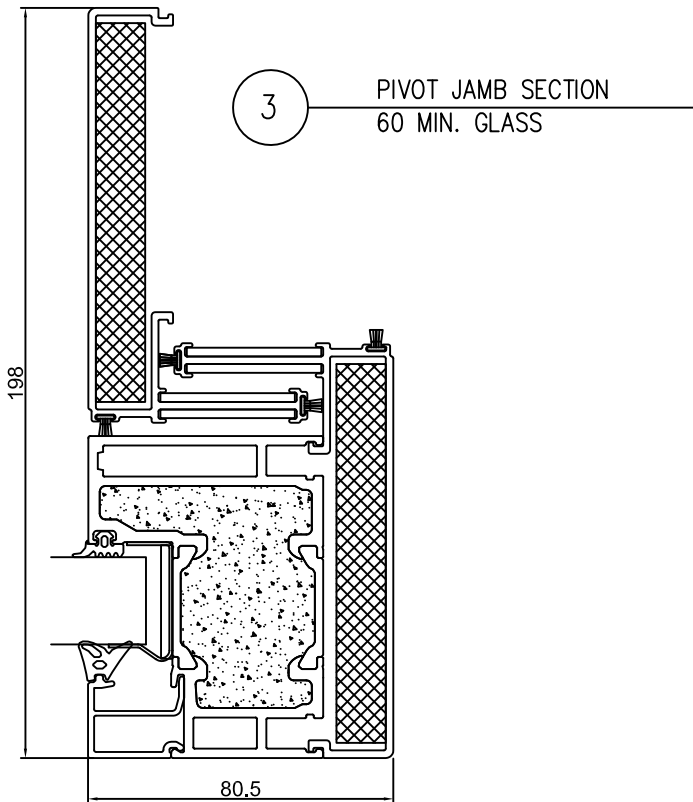


PROPRIETARY AND CONFIDENTIAL
THE INFORMATION CONTAINED IN THIS
DRAWING IS THE SOLE PROPERTY OF
ALUFLAM. ANY
REPRODUCTION IN PART OR AS A WHOLE
WITHOUT THE WRITTEN PERMISSION OF
ALUFLAM IS PROHIBITED.

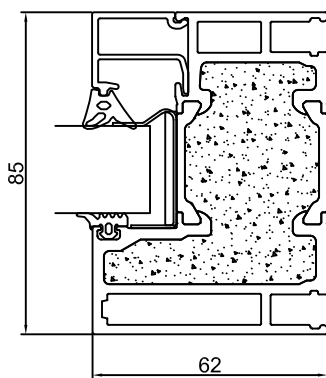
		DIMENSIONS ARE IN MILLIMETERS		NAME	DATE
		TOLERANCES:		DRAWN	I.Nachev 2010.02.07
		FRACTIONAL ±		CHECKED	Z.Meironas 2010.02.12
		ANGULAR: MACH ± BEND ±		ENG APPR.	
		TWO PLACE DECIMAL ±		MFG APPR.	
		THREE PLACE DECIMAL ±		Q.A.	
		MATERIAL		COMMENTS:	
NEXT ASSY	USED ON	FINISH			
APPLICATION					

30/45/60 MINUTE FIRE-RATED FULL VISION SLIDING DOORS

SIZE	DWG. NO.	REV.
A	004	
SD-4	WEIGHT:	SHEET 4 OF 8



3A TRANSOM SECTION
60 MIN. GLASS

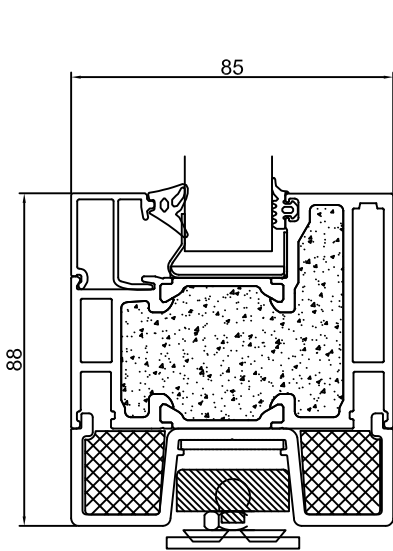


PROPRIETARY AND CONFIDENTIAL
THE INFORMATION CONTAINED IN THIS
DRAWING IS THE SOLE PROPERTY OF
ALUFLAM. ANY
REPRODUCTION IN PART OR AS A WHOLE
WITHOUT THE WRITTEN PERMISSION OF
ALUFLAM IS PROHIBITED.

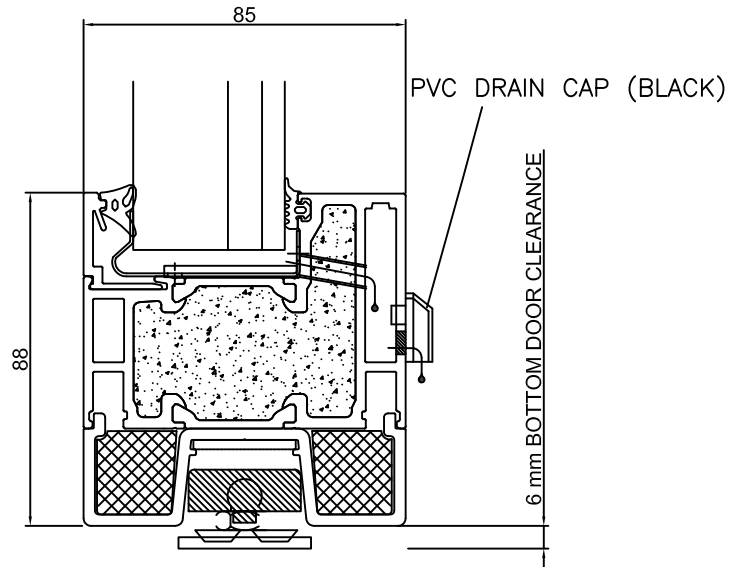
		DIMENSIONS ARE IN MILLIMETERS		NAME	DATE
		TOLERANCES:		DRAWN	I.Nachev 2010.02.07
		FRACTIONAL ±		CHECKED	Z.Meironas 2010.02.12
		ANGULAR: MACH ± BEND ±		ENG APPR.	
		TWO PLACE DECIMAL ±		MFG APPR.	
		THREE PLACE DECIMAL ±		Q.A.	
		MATERIAL		COMMENTS:	
NEXT ASSY	USED ON	FINISH			
APPLICATION					

30/45/60 MINUTE FIRE-RATED FULL VISION SLIDING DOORS

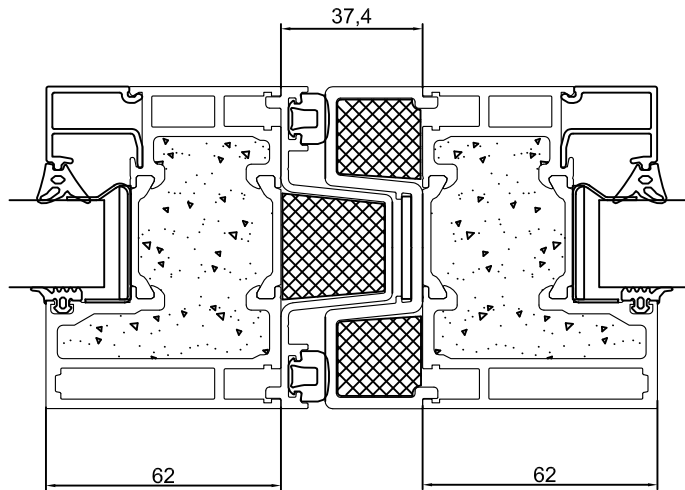
SIZE	DWG. NO.	REV.
A	005	
SD-5	WEIGHT:	SHEET 5 OF 8



4 BOTTOM DOOR RAIL SECTION
60 MIN. GLASS



4A BOTTOM DOOR RAIL SECTION (FOR EXT. INSTALL)
60 MIN. GLASS



5 MEETING STILE SECTION
60 MIN. GLASS



PROPRIETARY AND CONFIDENTIAL
THE INFORMATION CONTAINED IN THIS
DRAWING IS THE SOLE PROPERTY OF
ALUFLAM. ANY
REPRODUCTION IN PART OR AS A WHOLE
WITHOUT THE WRITTEN PERMISSION OF
ALUFLAM IS PROHIBITED.

		DIMENSIONS ARE IN MILLIMETERS		NAME	DATE
		TOLERANCES:		DRAWN	I.Nachev 2010.02.07
		FRACTIONAL ±		CHECKED	Z.Meironas 2010.02.12
		ANGULAR: MACH ± BEND ±		ENG APPR.	
		TWO PLACE DECIMAL ±		MFG APPR.	
		THREE PLACE DECIMAL ±		Q.A.	
		MATERIAL		COMMENTS:	
NEXT ASSY	USED ON	FINISH		30/45/60 MINUTE FIRE-RATED FULL VISION SLIDING DOORS	
APPLICATION					
SIZE	DWG. NO.				REV.
A	006				
SD-6	WEIGHT:				SHEET 6 OF 8

HARDWARE SCHEDULE

		SSD	DSD
Mortise Lock	**	1	1
Pull handles, Stainless steel	Häfele	2	2(4)
Rose, Satin Stainless	**	2	2
Automatic drive device	EC-Drive	1	1
Mortise Cylinder	Excl.	1	1
Cylinder Ring, Satin Stainless	**	1	1
Kick Plate	Aluflam NA	OPT	OPT

** variable

- This list contains standard and most commonly specified hardware options
- Please inquire about additional options
- See Accurate literature for available mortise lock functions (www.trioving.com)



PROPRIETARY AND CONFIDENTIAL
THE INFORMATION CONTAINED IN THIS
DRAWING IS THE SOLE PROPERTY OF
ALUFLAM. ANY
REPRODUCTION IN PART OR AS A WHOLE
WITHOUT THE WRITTEN PERMISSION OF
ALUFLAM IS PROHIBITED.

		DIMENSIONS ARE IN MILLIMETERS	NAME	DATE	30/45/60 MINUTE FIRE-RATED FULL VISION SLIDING DOORS	
		TOLERANCES:	DRAWN	I.Nachev		2010.02.07
		FRACTIONAL ±	CHECKED	Z.Meironas		2010.02.12
		ANGULAR: MACH ± BEND ±	ENG APPR.			
		TWO PLACE DECIMAL ±	MFG APPR.			
		THREE PLACE DECIMAL ±	Q.A.			
		MATERIAL	COMMENTS:			
NEXT ASSY	USED ON	FINISH				
APPLICATION						
SIZE	DWG. NO.	REV.				
A	007		SD-7	WEIGHT:	SHEET 7 OF 8	

GLAZING CONFIGURATIONS

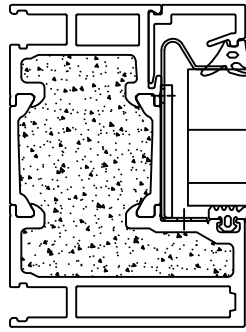
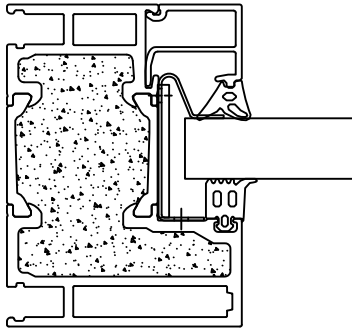
INTERIOR

EXTERIOR

(INSULATED GLASS UNITS)

30 Min. Rating - SGG Contraflam N2

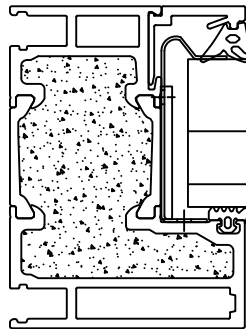
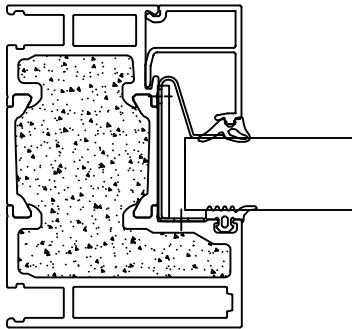
30 Min. Rating - IGU Contraflam



- 16 mm SGG Contraflam N2
- 14 mm Air Space
- 6mm Hardcoat Low-E Outboard Lite
- (36 mm Overall Glass Thickness)

45 Min. Rating - SGG Contraflam N2

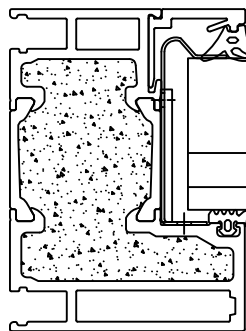
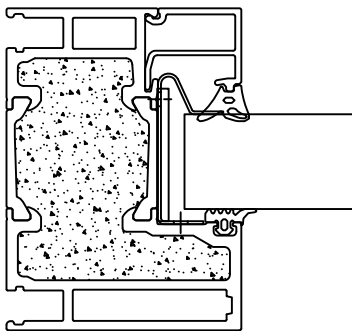
45 Min. Rating - IGU Contraflam



- 19 mm SGG Contraflam 45 N2
- 14 mm Air Space
- 6 mm Hardcoat Low-E Outboard Lite
- (39 mm Overall Glass Thickness)

60 Min. Rating - SGG Contraflam 60 N2

60 Min. Rating - IGU Contraflam 60



- 25 mm SGG Contraflam 60 N2
- 9 mm Air Space
- 6 mm Hardcoat Low-E Outboard Lite
- (40 mm Overall Glass Thickness)



PROPRIETARY AND CONFIDENTIAL
THE INFORMATION CONTAINED IN THIS DRAWING IS THE SOLE PROPERTY OF ALUFLAM. ANY REPRODUCTION IN PART OR AS A WHOLE WITHOUT THE WRITTEN PERMISSION OF ALUFLAM IS PROHIBITED.

		DIMENSIONS ARE IN MILLIMETERS		NAME	DATE
		TOLERANCES:		DRAWN	I.Nachev
		FRACTIONAL ±		CHECKED	Z.Meironas
		ANGULAR: MACH ± BEND ±		ENG APPR.	
		TWO PLACE DECIMAL ±		MFG APPR.	
		THREE PLACE DECIMAL ±		Q.A.	
		MATERIAL		COMMENTS:	
NEXT ASSY	USED ON	FINISH			
APPLICATION					

30/45/60 MINUTE FIRE-RATED FULL VISION SLIDING DOORS

SIZE	DWG. NO.	REV.
A	008	
SD-8	WEIGHT:	SHEET 8 OF 8